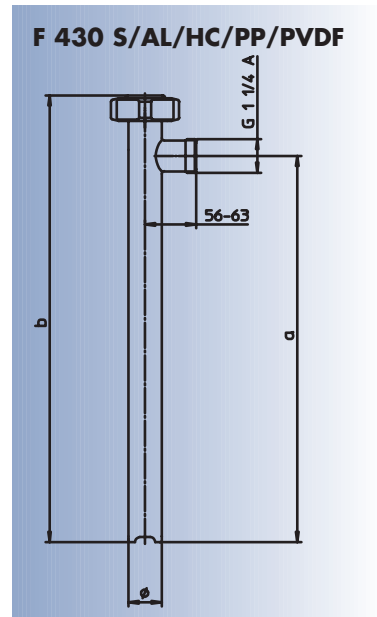
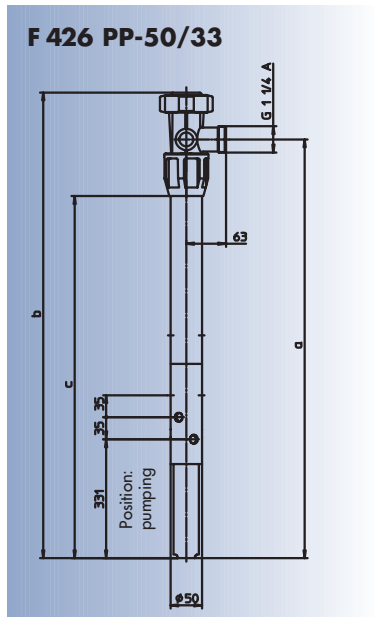
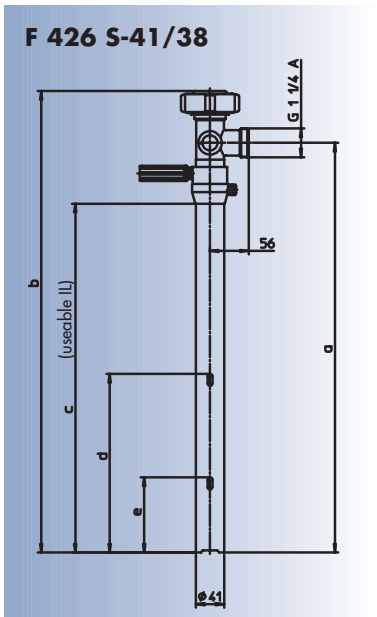


Type	F 424 S/PP/PVDF and F 427 S3			F 425 S-41/34			F 425 PP-50/34		
Dimensions in mm	Ø	a	b	a	b	c	a	b	c
Immersion length 700 mm	S: 43 or 50.	715	790	815	890	738	816	891	726
Immersion length 1000 mm	PP/PVDF:	1015	1090	1115	1190	1038	1116	1191	1026
Immersion length 1200 mm	41 or 50.	1215	1290	1315	1390	1238	1316	1391	1226
	on models PP/PVDF-41/35 Z, dimensions a and b are reduced by 8 mm.			with open valve dimensions a and b are increased by 7 mm.			with open valve dimensions a and b are increased by 8 mm.		



IL: Immersion length

Type	F 426 S-41/38					F 426 PP-50/33			F 430 S/AL/HC/PP/PVDF		
Dimensions in mm	a	b	c	d	e	a	b	c	Ø	a	b
Immersion length 700 mm	-	-	-	-	-	-	-	-	S/AL: 41 or 50.	706	780
Immersion length 1000 mm	1106	1181	1018	352	202	1106	1180	1016	HC: 40. PP/PVDF:	1006	1080
Immersion length 1200 mm	1306	1381	1218	352	202	1306	1380	1216	40 or 50.	1206	1280

For example: Type F 430 S-41/38 with an immersion length of 1000 mm has a total length (shown as dimension „b“) of 1080 mm.

The total length of the pump including motor type F 460 Ex is 1080 mm + 292 mm – 16 mm = 1356 mm.