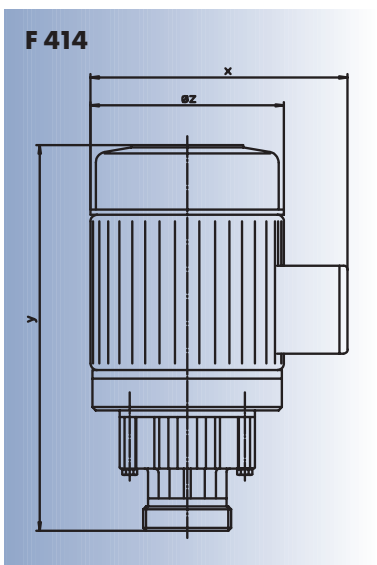
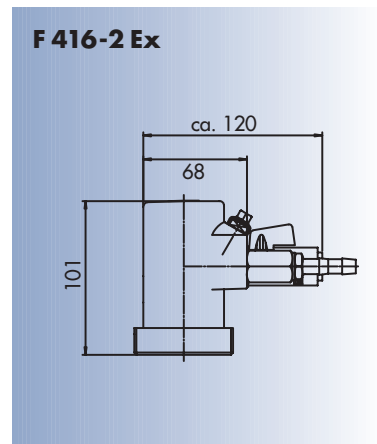
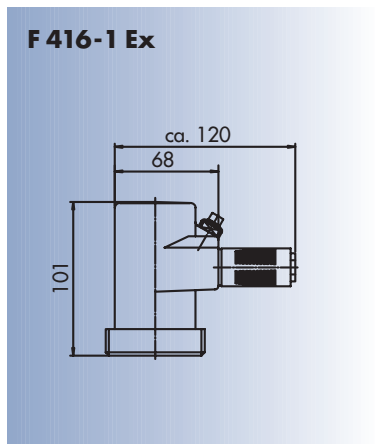
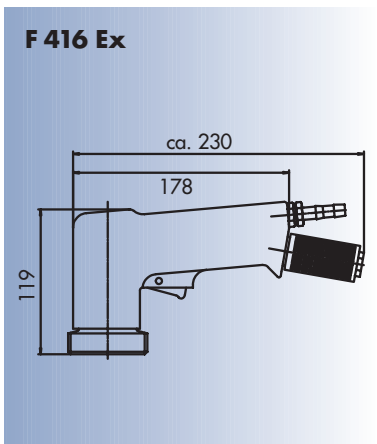
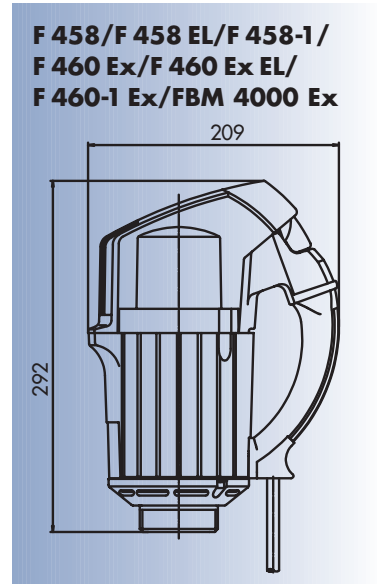
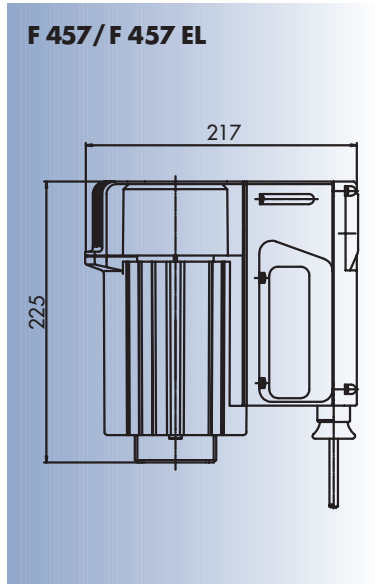
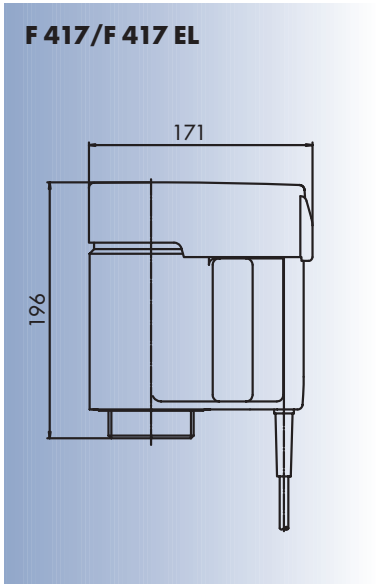


# DIMENSIONS



**Type F 414**

Capacity	X	Y	Øz
0,55 kW	200	285	143
0,75 kW	217	311	160
1,1 kW	217	311	160

**NOTE** with motor and pump assembled, the total length reduces by 16 mm.