

# ROYTRONIC® SERIES A

**New robust design with the advanced features and high end performance you expect from LMI**

## Control Features

- Choose from one of 3 control options:
  - Manual stroke length and speed control
  - Manual stroke length / auto pulse input or manual speed control
  - Manual stroke length / auto 4-20mA or manual speed control
- Locking Cover
- NEMA 4X / IP65 Enclosure
- Stroke indicator light
- On/Off push button
- New industrial grade IP-68 external signal/equipment interface
- Inputs for low level switch available on certain models



## New AutoPrime™ Liquid End

- Automatically and continuously purges entrapped air from process fluid
- Eliminates air binding when used with liquids such as sodium hypochlorite



## New Heights in Standard Features

- New 4 Function Valve with swivel mount that allows flexible orientation
- FastPrime standard liquid end enables easy start-up
- Both single and double ball checks available for improved pumping efficiency
- Tubing connection system sets a new standard for secure and leak-proof tubing connections



Tubing Connection System - Exploded View

### Liquifram Size 1 1/4" O.D. Tubing

Drive Assembly	Liquid End Type	Liquid End Code	Check Type	Material of Construction					Accs. Valve
				Head/Fittings	Balls	Seat	O-ring	Max PSI/BAR	
A81_ A71_ A11_ A84_ A74_ A14_	AutoPrime™	910HI	Double Ball	Acrylic/PVC	Ceramic	PTFE	Polyprel	150/10.3	APH + 4FV
		918HI		PVC/PVC	Ceramic	PTFE	Polyprel	150/10.3	APH + 4FV
A81_ A71_ A11_ A84_ A74_ A14_	FastPrime™	910SI	Double Ball	Acrylic/PVC	Ceramic	PTFE	Polyprel	250/17.2	FPH + 4FV
		915SI		PP/PP	Ceramic	PTFE	PTFE	250/17.2	FPH + 4FV
		919SI		Acrylic/PVDF	PTFE	PTFE	Polyprel	250/17.2	FPH + 4FV
		812SI		PVDF/PVDF	Ceramic	PTFE	Polyprel	250/17.2	FPH + 4FV
		813SI	Double Ball	PVDF/PVDF	Ceramic	PTFE	PTFE	250/17.2	FPH + 4FV
		918SI		PVC/PVC	Ceramic	PTFE	Polyprel	250/17.2	FPH + 4FV
		818SI		PVC/PVC	Ceramic	PTFE	Polyprel	250/17.2	FPH + 4FV
		718SI		Single Ball	PVC/PVC	Ceramic	PTFE	Polyprel	250/17.2
917NP	Double Ball	316 SS/316 SS	316 SS	316 SS	PTFE	250/17.2	FPH 1/4" NPT		

### Liquifram Size 2 3/8" O.D. Tubing

Drive Assembly	Liquid End Type	Liquid End Code	Check Type	Material of Construction					Accs. Valve	
				Head/Fittings	Balls	Seat	O-ring	Max PSI/BAR		
A85_ A75_ A15_	AutoPrime™	920HI	Double Ball	Acrylic/PVC	Ceramic	PTFE	Polyprel	110/7.6	APH + 4FV	
		928HI		PVC/PVC	Ceramic	PTFE	Polyprel	110/7.6	APH + 4FV	
A85_ A75_ A15_	FastPrime™	920SI	Double Ball	Acrylic/PVC	Ceramic	PTFE	Polyprel	110/7.6	FPH + 4FV	
		925SI		PP/PP	Ceramic	PTFE	PTFE	110/7.6	FPH + 4FV	
		929SI		Acrylic/PVDF	PTFE	Polyprel	Polyprel	110/7.6	FPH + 4FV	
		822SI		PVDF/PVDF	Ceramic	PTFE	Polyprel	110/7.6	FPH + 4FV	
		823SI	Double Ball	PVDF/PVDF	Ceramic	PTFE	PTFE	110/7.6	FPH + 4FV	
		828SI		PVC/PVC	Ceramic	Polyprel	Polyprel	110/7.6	FPH + 4FV	
		728SI		Single Ball	PVC/PVC	Ceramic	Polyprel	Polyprel	110/7.6	FPH + 4FV
		927NP		Double Ball	316SS/316SS	316SS	316SS	PTFE	110/7.6	FPH 1/4" NPT

### Liquifram Size 3 3/8" O.D. Tubing

Drive Assembly	Liquid End Type	Liquid End Code	Check Type	Material of Construction					Accs. Valve	
				Head/Fittings	Balls	Seat	O-ring	Max PSI/BAR		
A86_ A76_ A16_	AutoPrime™	930HI	Double Ball	Acrylic/PVC	Ceramic	PTFE	Polyprel	50/3.4	APH + 4FV	
		938HI		PVC/PVC	Ceramic	PTFE	Polyprel	50/3.4	APH + 4FV	
A86_ A76_ A16_	FastPrime™	930SI	Double Ball	Acrylic/PVC	Ceramic	PTFE	Polyprel	50/3.4	FPH + 4FV	
		935SI		PP/PP	Ceramic	PTFE	PTFE	50/3.4	FPH + 4FV	
		939SI		Acrylic/PVDF	PTFE	Polyprel	Polyprel	50/3.4	FPH + 4FV	
		832SI		PVDF/PVDF	Ceramic	PTFE	Polyprel	50/3.4	FPH + 4FV	
		833SI	Double Ball	PVDF/PVDF	Ceramic	PTFE	PTFE	50/3.4	FPH + 4FV	
		838SI		PVC/PVC	Ceramic	Polyprel	Polyprel	50/3.4	FPH + 4FV	
		738SI		Single Ball	PVC/PVC	Ceramic	Polyprel	Polyprel	50/3.4	FPH + 4FV
		937NP		Double Ball	316SS/316SS	316SS	316SS	PTFE	50/3.4	FPH 1/4" NPT

- To specify changes in head, accessory valve, and/or connections, please refer to the model code configuration chart.
- APH indicates that the pump is equipped with an LMI AutoPrime™ Head. This head allows for the constant removal of vapors and gases present in applications like sodium hypochlorite and hydrogen peroxide.
- FPH indicates that the pump is equipped with an LMI FastPrime™ Head. This head has an integral manual priming valve to facilitate quick pump start-up.

- 4FV indicates that the pump is equipped with an LMI Four Function Valve. This diaphragm type, anti-syphon/pressure relief valve is installed on the pump head.
- Polyprel® is an elastomeric PTFE copolymer.
- Polyprel® is a registered trademark of Milton Roy Company. Fluorofilm™, Liquifram™, AutoPrime™ and FastPrime™ are trademarks of Milton Roy Company.
- Roytronic is a registered trademark of Milton Roy Company



Model A 7 5 1 - 8 2 8 S I

### Model Code Configuration

**Control Code**

**1 – Dual Manual Control:**  
Speed (stroking frequency) and stroke length manually adjustable

**7 – Pulse Input / Dual Manual Control:**  
External control capability through pulse input and low level float switch plus manual control adjustments of control code 1

**8 – Analog Input / Dual Manual Control:**  
External control capability through 4-20mA input and low level float switch plus manual control adjustments of control code 1

**Output Codes**

See Output Options

**Voltage Code**

1 – 110-120V US Plug  
2 – 220-240V US Plug  
3 – 220-240V DIN Plug  
5 – 220-240V UK Plug  
6 – 220-240V Aust/NZ Plug  
7 – 220-240V Swiss Plug  
8 – 110-120V No Plug

**Liquid End Code**

See previous page for options

**Liquifram™ Size Code**

1 – 0.2 in<sup>2</sup>  
2 – 0.4 in<sup>2</sup>  
3 – 0.8 in<sup>2</sup>

**Material Code**

See previous page for options

**Head/Valve Code**

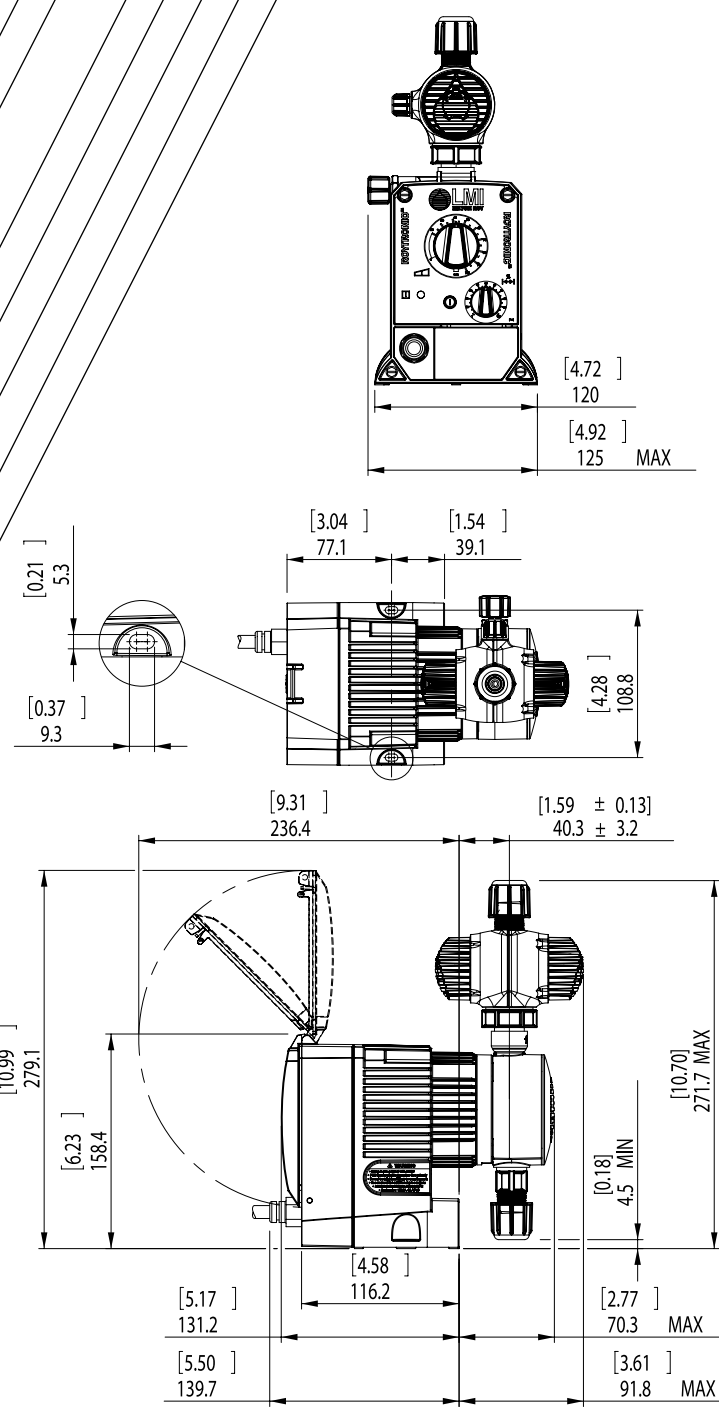
S – FastPrime™ Head + 4FV  
N – FastPrime™ Head  
H – AutoPrime™ Head + 4FV  
A – AutoPrime™ Head

**Connection Code**

I – Inch Tubing and 1/2" NPT or 1/2" BSP Pipe  
M – Metric Tubing  
P – 1/2" NPT - 1/2" BSP Pipe (SS Head Only)  
U – Black, UV Resistant Tubing

Drive

Liquid End



\* Dimensions shown are maximum for largest liquid end available. These dimensions vary depending on the liquid end selected.



Setting the New  
**HIGH STANDARD**  
for  
Electronic  
Metering Pumps

**3 Year Warranty**